

PT40, PTP40

Čapkova 22
678 01 Blansko
tel.: +420 516 416942, 419995
fax: +420 516 416963

RESISTANCE THERMOMETER FOR AIR CONDITIONING

Design:

PT40 (PTP40)

- to be mounted into an air pipe line using a special holder
- the model PTP40 includes a programable converter 4-20mA

No-converter resistance thermometer PT40:

The sensor holding stem is made of grade 17248 stainless steel. The metal head (enclosure IP56) houses a terminal board. The length Y is customer defined, basic version is 400mm.

Pt100/A or B, Pt1000, or possibly also Ni1000 in two or four-wire connection can be mounted. By arrangement, a double sensor can be mounted, too.

PT40 - to be mounted into an air pipe line using a special holder, -25...+100°C, low time constant (τ = approx. 2.5 sec in water)

Technical specifications:	Temperature sensor:	Pt100/"B" or "A" to ČSN IEC 751 or others according to order
	Ambient temperature:	-25...+100°C
	Dielectric strength:	500V (circuit to metal casing)
	Insulation resistance:	20M Ω at least (circuit to metal casing)

Resistance thermometer PTP40 with 4-20mA converter (PP200):

The sensor holding stem is made of grade 17248 stainless steel. The metal head (enclosure IP56) houses a PP100 converter with a 4...20mA output.

The length Y is customer defined, basic version is 400mm.

PTP40 - to be mounted into an air pipe line using a special holder, -25...+100°C, low time constant (τ = approx. 2.5 sec in water)

Technical specifications:	Temperature sensor:	Pt100 to ČSN IEC 751
	Measuring range:	arbitrary, within the permissible range, minimum temperature interval: 50°C
	Accuracy:	$\pm 0.5\%$ of full scale deflection (max. $\pm 0.25^\circ\text{C}$)
	Output:	4...20mA linearized
	Power supply:	12...34V DC, via output line, maximum ripple, 0.5V (two-wire)
	Ambient temperature:	-25...+80°C
	Dielectric strength:	500V (circuit to metal casing)
	Insulation resistance:	20M Ω at least (circuit to metal casing)

For other parameters, see the specifications of PP200 converter, which is used in this model.

Type tests: Standard type test: to ČSN IEC 751
EMC: to ČSN EN 61326-1
Safety: acc. to ČSN EN 61010-1

Terminal connection:

The terminals accept wires with cross sections not exceeding 2.5mm².

Converter models:	2 terminals:output current loop (polarity insensitive)
Single-sensor, two-wire connection, no converter models:	2 terminalssensor A (polarity insensitive)
Single-sensor, four-wire connection, no converter models:	4 terminals: 1, 2...connected at sensor; 3, 4...connected at sensor
Two-sensor, two-wire connection, no converter models:	4 terminals: 1, 2...sensor A; 3, 4...sensor B

Your order should include:

No-converter model

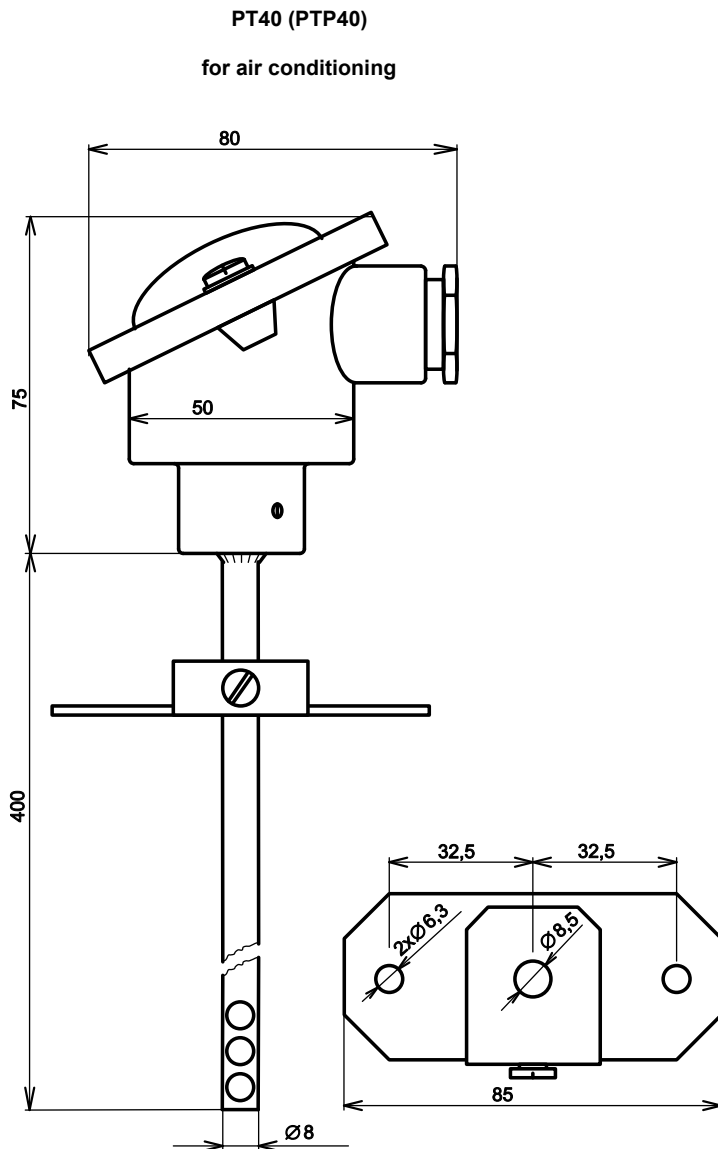
- thermometer type PT40
- accuracy of Pt100 A, B sensor, or other special requirements (four-wire connection, double sensor, etc.)
- expected maximum temperature to be measured (important for the device technology)
- total stem length (Y)
- quantity (No. of pieces)

Converter models:

- thermometer type PTP40
- measuring range [°C]
- total stem length (Y)
- quantity (No. of pieces)

Purchase order examples:

PT40 400mm P100/B max. 100°C, 1pc
PTP40 600mm 0...+50°C / 4..20mA, 5pcs
PT40 200mm Pt1000/B max. 60°C, 3pcs



Any thermometer can be provided with a calibration protocol. Our services include also installation and adjustment of converters in other manufacturers' thermometer heads provided, and, also, refurbishment of old devices.



Likvidaci po ukončení životnosti provést odděleným sběrem.
Rawet s.r.o. je členem sdružení RETELA www.retela.cz

Rawet s.r.o.
Čapkova 22
Blansko
678 01

IČO: 47901411
DIČ: CZ47901411
ČSOB Blansko
č. ú. 106093786/0300

tel.: 516 419995, 516 416942
fax: 516 416963
E-mail: rawet@rawet.cz
Internet: www.rawet.cz