

PTP31M12

Čapkova 22
678 01 Blansko
tel.: +420 516 416942, 419995
fax: +420 516 416963

RESISTANCE THERMOMETER WITH CONNECTOR AND 4-20mA OUTPUT

- easy connecting
- optional dimensions
- for outdoor use (protection IP65)
- weld or adjustable screwing
- the model includes a two-wire programmable converter 4-20mA

This temperature probes are mainly used for measuring temperature in liquids and gasses. Metal parts is made from stainless steel of 17248 grade.

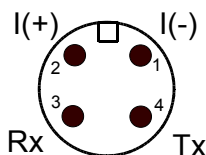
PTP31 M12 Design Ø6-8mm (or other)
Connector M12x1 without cable, EC-FS4-L/16
Immersion length „Y“ and design we can adjust according to your order.
Screwing choice: G1/2, G3/4, M20x1,5, M27x2.....

Technical data: Temperature sensor: Pt100/A
Measuring range: -30...+90° (dimensions „A“) (t = c. 7sec)
-30...+400° (dimensions „B“)
Accuracy: ±0,3% of full scale deflection (max. ±0.25°C)
Time response: approx 7sec
Output: 4...20mA linearized
Power supply: 8...30V DC, via output line
Protection (IP code): IP67 (only with threaded connector)
Liquid pressure: max. 15 MPa
Dielectric strength: 500V, dielectric resistance min. 20MΩ (between circuit and the metal housing)

Type tests: Standard type test: to ČSN IEC 751
EMC: to ČSN EN 61326-1
Safety: assessed acc. to ČSN EN 61010-1

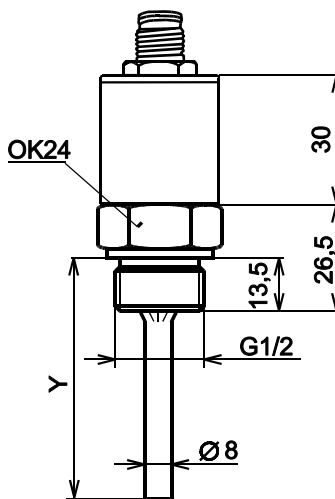
Connection:

- 1 – 2 output current loop 4-20mA
- 3 – 4 programming adaptor

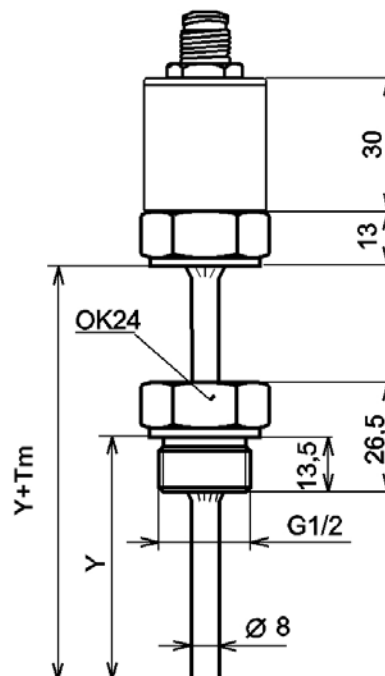


Dimensions:

„A“:



„B“:



Your order should include:

- thermometer type - PTP31M12
- measuring range
- stem diameter
- stem length Y
- type of screwing
- quantity (No. of pieces)

Purchase order examples:

PTP31M12 8x100mm Pt100 0...70°C / 4-20mA 1pc
PTP31M12 6x120mm Ni1000 0...60°C / 4-20mA 1pc
PTP31M12 8x220/120mm Ni1000 0...200°C / 4-20mA 1pc

The thermometers can be ordered exposure calibration protocol.



Likvidaci po ukončení životnosti provést odděleným sběrem.
Rawet s.r.o. je členem sdružení RETELA www.retelea.cz

Distance (Tm):

For temperature 101...200°C: Tm=100mm
For temperature 201...400°C: Tm=180mm